

ATOM Power Vendor Presentation: First UL Listed Solid State Breaker



Ryan Rizor
Vice President Sales, C&I
ATOM Power

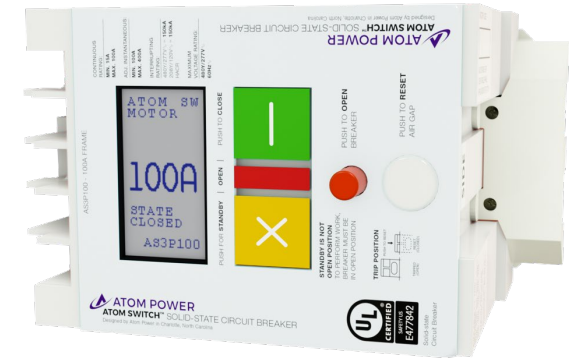
Why Solid State Circuit Breakers (SSCB)?

First, Safety

- Remove People From the Hazard – from 18" to miles
- Incident Energy Elimination (cal/cm²)
- Let Through Reduction (I²t)
- 200kA Interrupt

Software Defined Power

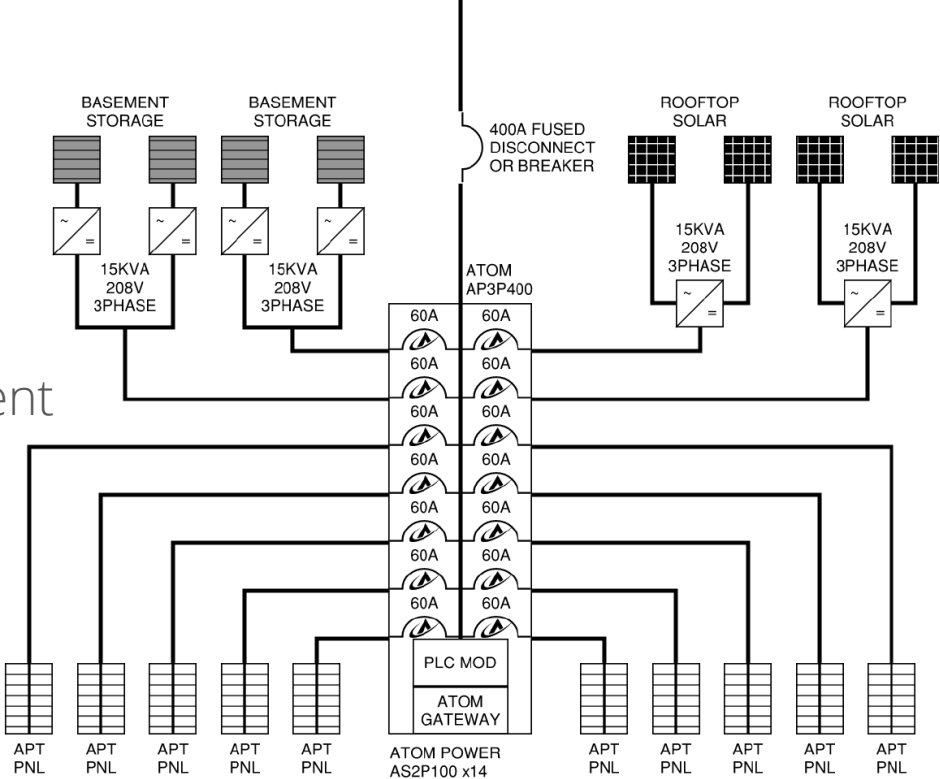
- Loads, Sources, and Loads that are Sources
- Electron Accounting
- Integral Metering and Monitoring



Software Defined Distribution

Practical Applications & Impacts

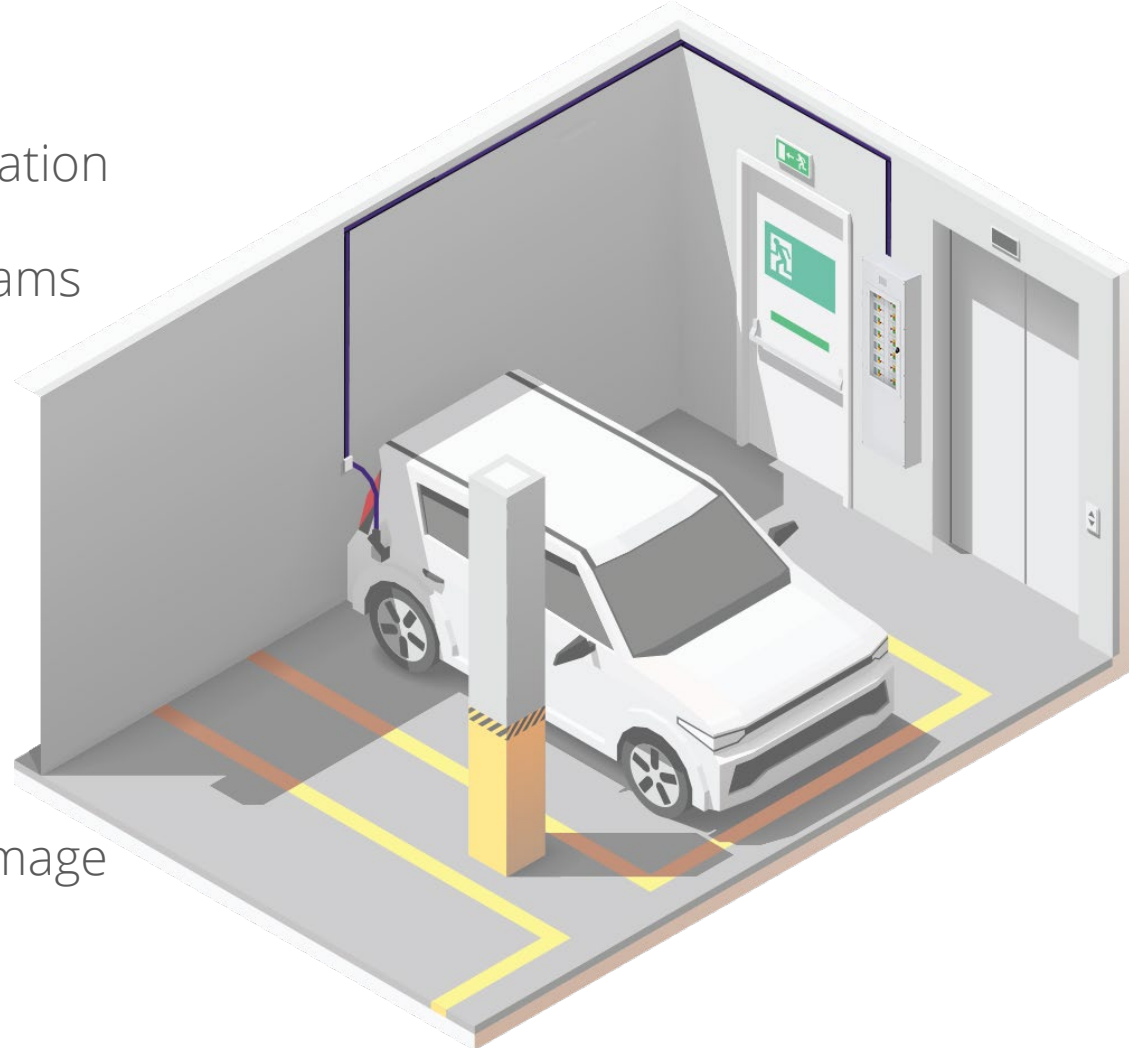
- Distributed Energy Resources
- Electric Vehicle Charging TCO
- Critical and Sensitive Loads
- Hazardous Environments
- Power System Capacity Management



Electric Vehicle Charging Demystified

Atom Power's Solution

- Electrical Service Capacity Optimization
- Active Charge Management Programs
- Open API
- Total Cost of Ownership
 - \$0 Network Charges
 - Simple Maintenance
 - Low (\$) impact of vehicle damage



Product Roadmap

Current Products

- Enclosed SSCB
- SSCB Panel Board



Summer 2021

- Level 2 (48A) EVSE

2022

- 1" per pole NEMA form factor for residential, data centers, and home EVSE

